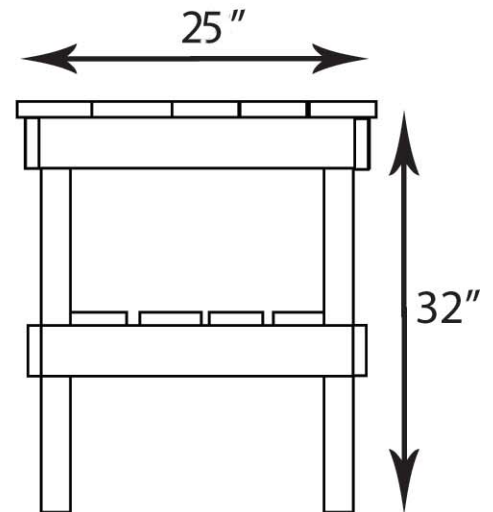
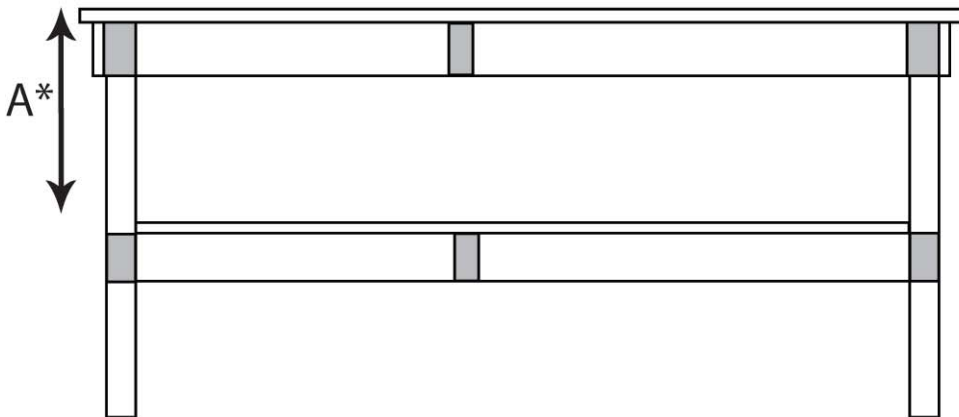
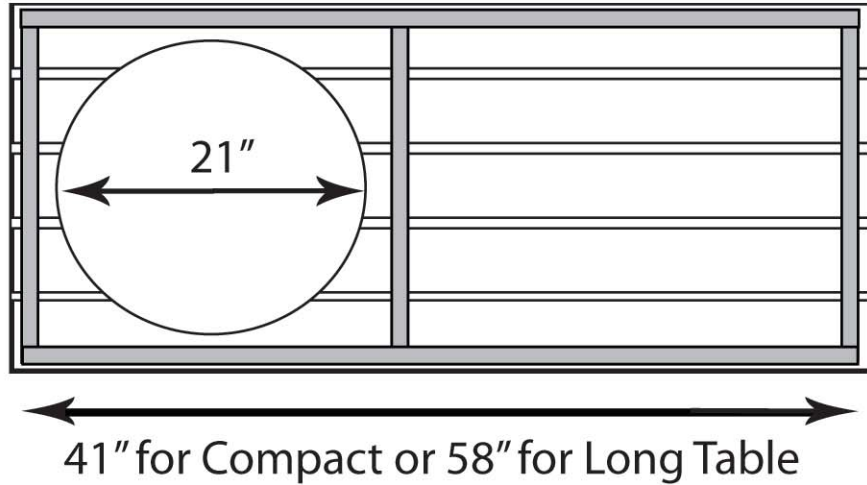


Big Green Egg



World's Best Smoker and Grill!

Wooden Table Plans for a Large EGG



A* is the measurement from the top of the lower shelf to the top of the table.
The "A" measurement is 15"

The legs and support pieces should be made of 2"x4" lumber. Using deck screws and glue will make your table very strong. The decking boards can be 1"x6" or you could also use 2"x4". Rounding the Edges will give a more finished look and can be done easily with a router or sander. Finishing the wood with a clear wood finish or stain and sealer will make your table more attractive and extend the life.

Make sure you use a concrete paving stone underneath your EGG in the table as a safety precaution.